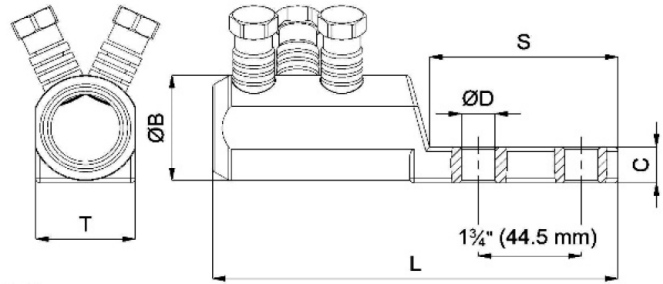


MECHANICAL SHEAR BOLT LUGS

These are one piece tin plated aluminum alloy cable lugs designed for both aluminum and copper conductors from #6 AWG up to 1000 Kcmil. Approved for low and medium voltage applications on multiple NEMA spacing connections.



Reference	Section	Bolts	HEX Socket
PCL40	#6 AWG - 4/0 AWG 13 - 107 mm ²	1	3/4" 19 mm

Reference	Section	Bolts	0B	S	C	T	L	0D	HEX Socket
PCL50	#3 AWG - 250 Kcmil 27 - 127 mm ²	2	1.18" 30 mm	3.15" 80 mm	0.43" 11 mm	1.18" 30 mm	5.75" 146 mm	0.56" 14.3 mm	3/4" 19 mm
PCL51	4/0 AWG - 500 Kcmil 107 - 253 mm ²	2	1.38" 35 mm	3.15" 80 mm	0.43" 11 mm	1.38" 35 mm	6.10" 155 mm	0.56" 14.3 mm	3/4" 19 mm
PCL52	500 - 1000 Kcmil 253 - 507 mm ²	3	1.85" 47 mm	3.20" 81.4 mm	0.63" 16 mm	1.69" 43 mm	6.89" 175 mm	0.56" 14.3 mm	3/4" 19 mm

Reference	Section	Bolts	0B	S	C	T	L	0D	HEX Socket
PCL53	350 - 750 Kcmil 177 - 380 mm ²	3	1.85" 47 mm	3.20" 81.4 mm	0.63" 16 mm	1.69" 43 mm	6.89" 175 mm	0.56" 14.3 mm	3/4" 19 mm
PCL54	3/0 AWG - 600 Kcmil	3	1.85" 47 mm	3.20" 81.4 mm	0.63" 16 mm	1.69" 43 mm	6.89" 175 mm	0.56" 14.3 mm	3/4" 19 mm

FEATURES

Material: Body: High tensile tin-plated aluminum alloy
Bolts: High tensile strength aluminum alloy

Voltage: Up to 36 kV

Tools: 3/4" HEX (six point) **deep well** impact socket required.
18V battery impact tool recommended



Phone: (877) 743-0622

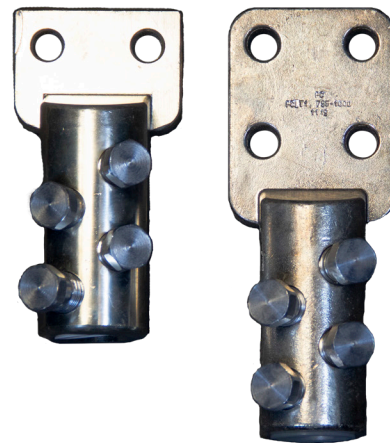
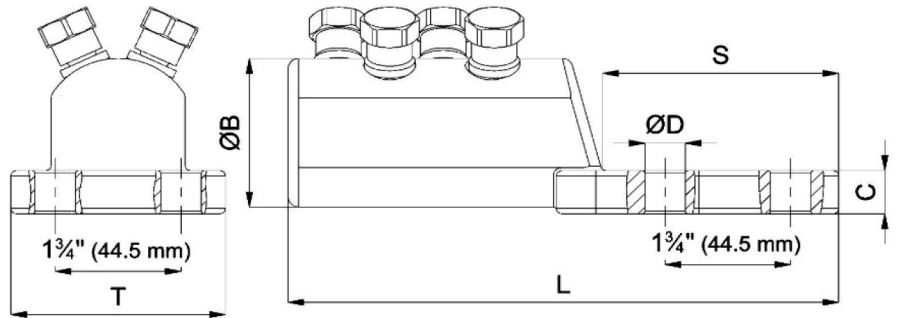
Website: www.PowerConnectors.net

Email: pcs@gresco.com



MECHANICAL SHEAR BOLT LUGS

These are a one piece tinned aluminum alloy cable lugs designed for both aluminum and copper conductors of #2 up to 1500 Kcmil. Approved for low and medium voltage applications on multiple NEMA spacing connections.



Reference	Section	Bolts	ØB	S	C	T	L	ØD	Palm Holes	HEX Socket
PCLT1	750 - 795 - 954 - 1000 Kcmil	4	2.16" 55 mm	3.30" 84 mm	0.63" 16 mm	3.00" 76 mm	7.67" 195 mm	0.56" 14.3 mm	4	3/4" 19 mm
PCLT2	750 - 795 - 954 - 1000 Kcmil	4	2.16" 55 mm	1.57" 40 mm	0.63" 16 mm	3.00" 76 mm	5.90" 150 mm	0.56" 14.3 mm	2	3/4" 19 mm
PCLT3	#2 AWG - 500 Kcmil	3	1.57" 40 mm	3.30" 84 mm	0.63" 16 mm	3.00" 76 mm	6.45" 164 mm	0.56" 14.3 mm	4	3/4" 19 mm
PCLT4	1250 - 1500 Kcmil	4	2.16" 55 mm	3.30" 84 mm	0.63" 16 mm	3.00" 76 mm	7.67" 195 mm	0.56" 14.3 mm	4	3/4" 19 mm

FEATURES

Material: Body: High tensile tin-plated aluminum alloy
Bolts: High tensile strength aluminum alloy

Voltage: Up to 36 kV

Tools: 3/4" HEX (six point) **deep well** impact socket required.
18V battery impact tool recommended



Phone: (877) 743-0622

Website: www.PowerConnectors.net



Email: pcs@gresco.com