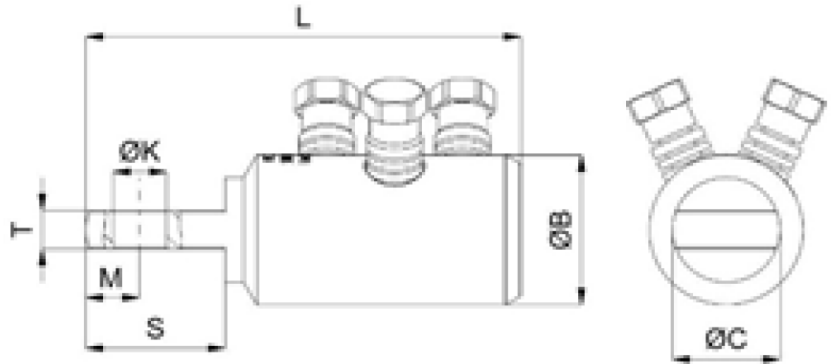


# ALUMINUM SHEAR BOLT CONNECTORS 600/900 AMP

This is a one piece tinned aluminum alloy cable lug, that is designed for both aluminium and copper conductors from #3 AWG up to 1500 kcmil Medium Voltage applications on 600 Amp and 900 Amp "T" Body Elbows.



Reference	Section	Bolts	ØB	M	ØK	ØC	S	T	L	HEX Socket
PCA61	500 - 1000 Kcmil 253 - 507 mm <sup>2</sup>	3	1.97" 50 mm	0.69" 17.5 mm	0.69" 17.5 mm	1.38" 35 mm	1.78" 45.2 mm	0.50" 12.8 mm	5.55" 141 mm	3/4" 19 mm
PCA62	#3 AWG - 1/0 AWG 27 - 53 mm <sup>2</sup>	2	0.98" 25 mm	0.69" 17.5 mm	0.68" 17.5 mm	1.37" 35 mm	1.77" 45.2 mm	0.50" 12.8 mm	4.5" 114.3 mm	3/4" 19 mm
PCA63	1/0 AWG - 350 Kcmil 53 - 177 mm <sup>2</sup>	2	1.38" 35 mm	0.69" 17.5 mm	0.69" 17.5 mm	1.38" 35 mm	1.78" 45.2 mm	0.50" 12.8 mm	5.55" 141 mm	3/4" 19 mm
PCA64	4/0 - 500 - 750 Kcmil 107 - 253 - 380 mm <sup>2</sup>	3	1.57" 40 mm	0.69" 17.5 mm	0.69" 17.5 mm	1.38" 35 mm	1.78" 45.2 mm	0.50" 12.8 mm	6.53" 166 mm	3/4" 19 mm
PCA65	1250 - 1500 Kcmil 630 - 800 mm <sup>2</sup>	4	1.97" 50 mm	0.69" 17.5 mm	0.69" 17.5 mm	1.38" 35 mm	1.78" 45.2 mm	0.50" 12.8 mm	6.18" 157 mm	3/4" 19 mm

## FEATURES

**Material:** Body: High tensile tin-plated aluminum alloy  
Bolts: High tensile strength aluminum alloy

**Voltage:** Up to 36 kV

**Tools:** 3/4" HEX (six point) **deep well** impact socket required.  
18V battery impact tool recommended



Phone: (877) 743-0622

Website: [www.PowerConnectors.net](http://www.PowerConnectors.net)



Email: [pcs@gresco.com](mailto:pcs@gresco.com)