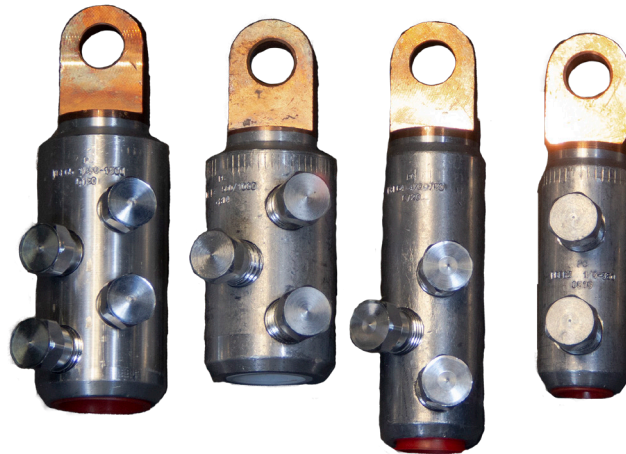
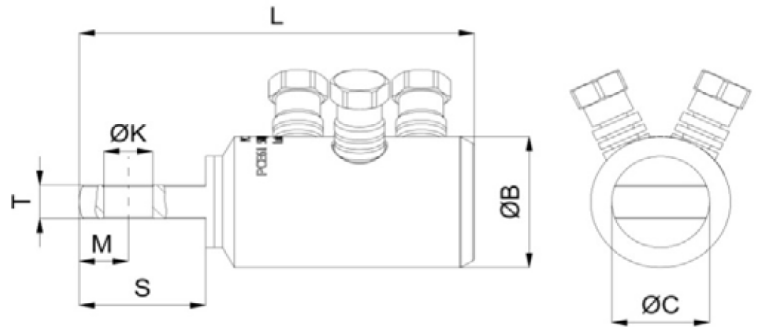


BIMETALLIC SHEAR BOLT CONNECTORS 600/900 AMP

These are Bi-metallic, aluminum alloy copper top connectors for both aluminium and copper conductors. They are for use on 600 Amp and 900 Amp "T" Body Elbow applications.



Reference	Section	Bolts	ØB	M	ØK	ØC	S	T	L	HEX Socket
PCE61	500 - 1000 Kcmil 253 - 507 mm ²	3	1.97" 50 mm	0.69" 17.5 mm	0.69" 17.5 mm	1.38" 35 mm	1.78" 45.2 mm	0.51" 13 mm	5.55" 141 mm	3/4" 19 mm
PCE63	1/0 AWG - 350 Kcmil 53 - 177 mm ²	2	1.38" 35 mm	0.69" 17.5 mm	0.69" 17.5 mm	1.38" 35 mm	1.78" 45.2 mm	0.51" 13 mm	5.55" 141 mm	3/4" 19 mm
PCE64	4/0 - 500 - 750 Kcmil 107 - 253 - 380 mm ²	3	1.57" 40 mm	0.69" 17.5 mm	0.69" 17.5 mm	1.38" 35 mm	1.78" 45.2 mm	0.51" 13 mm	6.53" 166 mm	3/4" 19 mm
PCE65	1250 - 1500 Kcmil 630 - 800 mm ²	4	1.97" 50 mm	0.69" 17.5 mm	0.69" 17.5 mm	1.38" 35 mm	1.78" 45.2 mm	0.51" 13 mm	6.18" 157 mm	3/4" 19 mm
PCE61C*	500 - 1000 Kcmil 253 - 507 mm ²	3	1.97" 50 mm	0.69" 17.5 mm	0.69" 17.5 mm	1.38" 35 mm	1.78" 45.2 mm	0.51" 13 mm	5.55" 141 mm	3/4" 19 mm

*All copper alloy connector for copper conductors only!

FEATURES

Material: Body: High tensile aluminum alloy
Spade: Copper
Bolts: High tensile strength aluminum alloy

Voltage: Up to 36 KV

Tools: 3/4" HEX (six point) **deep well** impact socket required.
18V battery impact tool recommended



Phone: (877) 743-0622

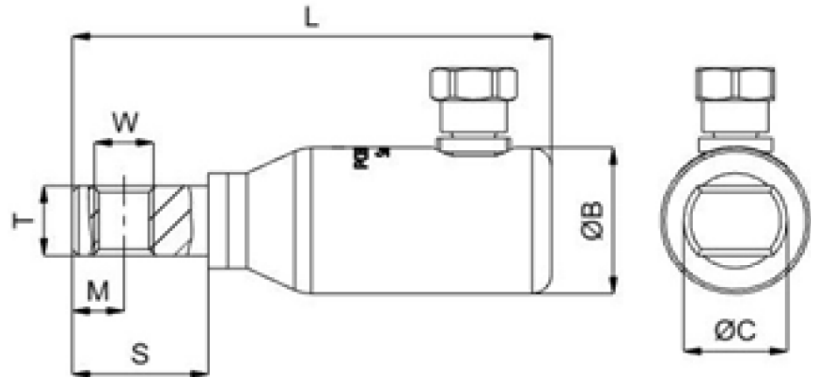
Website: www.PowerConnectors.net



Email: pcs@gresco.com

BIMETALLIC SHEAR BOLT CONNECTORS 200 AMP

These are Bi-metallic, aluminum alloy and copper top connectors with shear bolt that has predetermined shear points and designed for both aluminum and copper conductors, to be used with 200 Amp loadbreak and non-loadbreak Elbows.



Reference	Section	Bolts	ØB	M	ØW	ØC	S	T	L	HEX Socket
PCE60	#3 - 1/0 AWG 27 - 53 mm ²	1	0.90" 23 mm	0.31" 8 mm	3/8"	0.63" 16 mm	0.85" 21.5 mm	0.43" 11 mm	2.90" 74 mm	3/4" 19 mm
PCE62	1/0 - 4/0 AWG 53 - 107 mm ²	1	0.98" 25 mm	0.31" 8 mm	3/8"	0.63" 16 mm	0.85" 21.5 mm	0.43" 11 mm	2.90" 74 mm	3/4" 19 mm

FEATURES

Material: Body: High tensile aluminum alloy
Spade: Copper
Bolts: High tensile strength aluminum alloy

Voltage: Up to 36 KV

Tools: 3/4" HEX (six point) **deep well** impact socket required.
18V battery impact tool recommended



Phone: (877) 743-0622

Website: www.PowerConnectors.net



Email: pcs@gresco.com