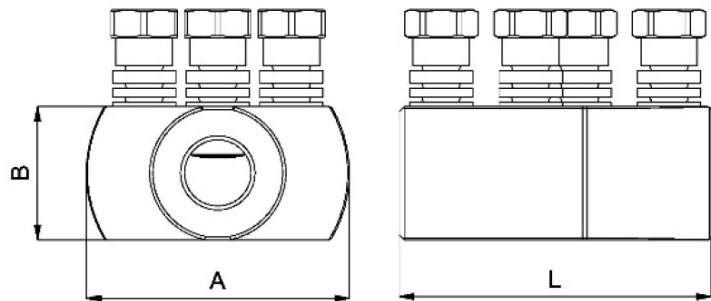


COPPER SHEAR BOLT CONNECTORS

Copper alloy “Y” connectors designed for use in low and medium voltage applications from 1/C #3 AWG up to 750 Kcmil.



Reference	Main Section	Qty	Tap Section	Qty	A	B	L	HEX Socket
PCY30C	#3 AWG - 350 Kcmil 27 - 177 mm ²	2	#3 AWG - 350 Kcmil 27 - 177 mm ²	1	3" 76 mm	1.57" 40 mm	3.50" 89 mm	3/4" 19 mm
PCY31C	4/0 AWG - 750 Kcmil 107 - 380 mm ²	2	1/0 AWG - 350 Kcmil 53 - 177 mm ²	1	3" 76 mm	1.57" 40 mm	4.10" 105 mm	3/4" 19 mm
PCY34C	4/0 AWG - 750 Kcmil 107 - 380 mm ²	2	4/0 AWG - 750 Kcmil 107 - 380 mm ²	1	3" 76 mm	1.57" 40 mm	4.10" 105 mm	3/4" 19 mm

FEATURES

Material: Body: Copper

Bolts: Brass

Voltage: Up to 36 kV

Tools: 3/4" HEX (six point) **deep well** impact socket required.
18V battery impact tool recommended

GRESKO

Phone: (877) 743-0622

Website: www.PowerConnectors.net

PCS

Email: pcs@gresco.com