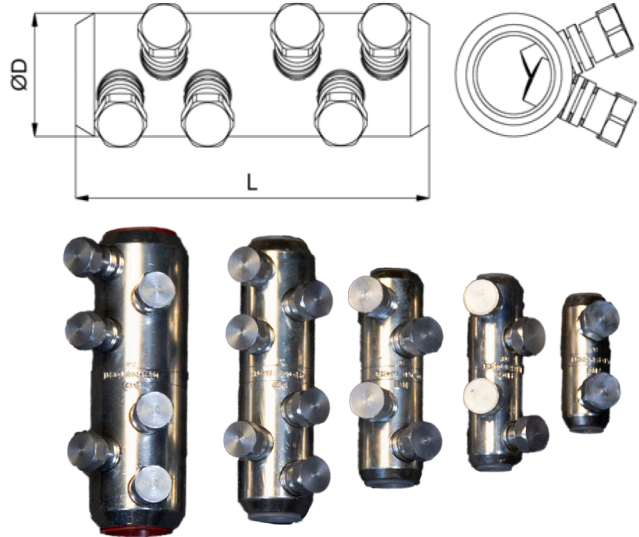


STRAIGHT MECHANICAL SHEAR BOLT CONNECTORS

These are multi-range tin plated aluminum alloy straight connectors with a solid center barrier for both aluminum and copper conductors. These connectors are for use in low and medium voltage applications from #6 AWG up to 1500 Kcmil.



Reference	Section AWG/Kcmil	Bolts	ØD	L	HEX Socket
PCS09	#6 AWG - 4/0 AWG 13 - 107 mm ²	2	0.98" 25 mm	2.75" 70 mm	3/4" 19 mm
PCS09HS*	#6 AWG - 4/0 AWG 13 - 107 mm ²	2	0.98" 25 mm	2.75" 70 mm	3/4" 19 mm
PCS10	#2 AWG - 250 Kcmil 34 - 127 mm ²	4	1.18" 30 mm	3.94" 100 mm	3/4" 19 mm
PCS11	4/0 AWG - 500 Kcmil 107 - 253 mm ²	4	1.38" 35 mm	4.37" 111 mm	3/4" 19 mm
PCS11M	350 - 500 Kcmil 177 - 253 mm ²	4	1.38" 35 mm	4.37" 111 mm	3/4" 19 mm
PCS12	500 - 1000 Kcmil 253 - 507 mm ²	6	1.97" 50 mm	6.10" 155 mm	3/4" 19 mm
PCS12M	1000 Kcmil 507 mm ²	6	1.85" 47 mm	5.60" 142 mm	3/4" 19 mm
PCS13	4/0 AWG - 750 Kcmil 107 - 380 mm ²	6	1.57" 40 mm	5.70" 145 mm	3/4" 19 mm
PCS14	750 - 1250 Kcmil 380 - 630 mm ²	6	1.97" 50 mm	6.10" 155 mm	3/4" 19 mm
PCS15	1250 - 1500 Kcmil 630 - 800 mm ²	8	2.16" 55 mm	7.48" 190 mm	3/4" 19 mm

*HS connector includes heat shrink tube

FEATURES

Material: Body: High tensile tin-plated aluminum alloy
Bolts: High tensile strength aluminum alloy

Voltage: Up to 36 kV

Tools: 3/4" HEX (six point) **deep well** impact socket required.
18V battery impact tool recommended

GRESKO

Phone: (877) 743-0622

Website: www.PowerConnectors.net

Email: pcs@gresco.com

PCS